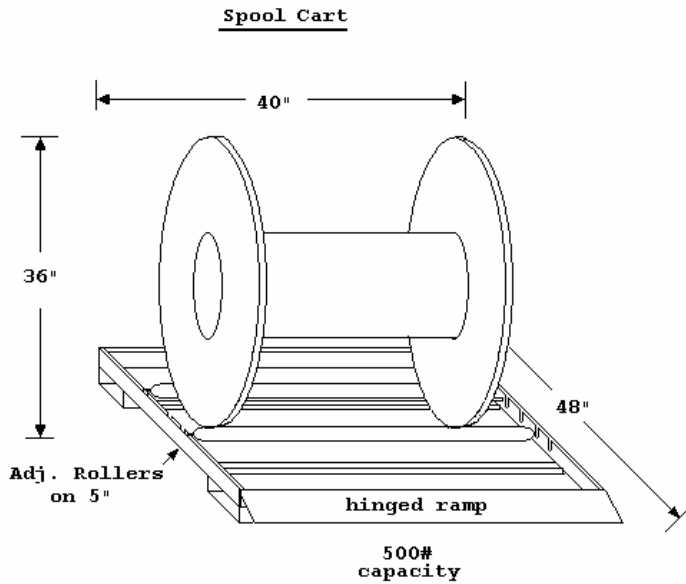




P.O. Box 205
Alpena, Michigan 49707
989-358-7050
fax: 989-358-7055

Toll Free: 800-245-6890
VISIT OUR WEB SITE AT: www.rack-eng.com

FROM CONCEPT TO REALITY



Benefits

- Gain space AND dispense material efficiently and effortlessly
- Many capacities available
- Adjustable roller positions
- Built in ramp allows for easy placement on rollers
- Adapts to various spool sizes
- Allows an operator to feed cable vertically and horizontally

Utility Spool Dispenser

Designed for storing, transporting and dispensing cable and wire

Available Options

- Fork pockets
- Lifting rings
- Load/unload from either side
- Configure in multi-level arrangement
- Private labeling



**- HEAVY DUTY ALL WELDED
STEEL TUBE CONSTRUCTION -**

SPECIALTY PRODUCTS

SPECIALTY PRODUCTS