



P.O. Box 205
Alpena, Michigan 49707
989-358-7050
fax: 989-358-7055

Toll Free: 800-245-6890

VISIT OUR WEB SITE AT: www.rack-eng.com

FROM CONCEPT TO REALITY



MOBILE TOOL CABINET

STORE:

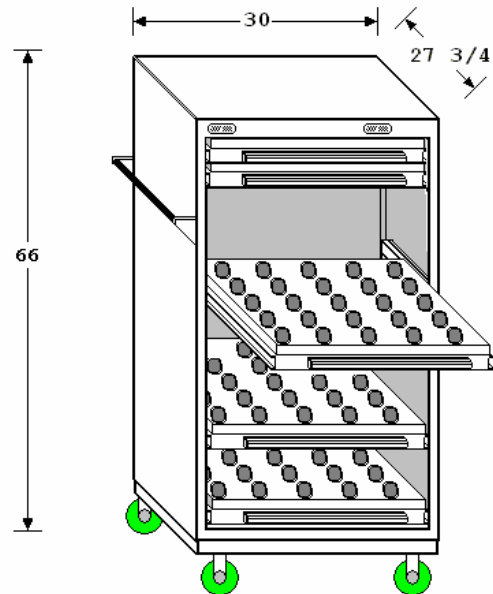
- *TALLER CAT TOOLING VERTICALLY
- *SMALL INSERTS IN UPPER DRAWERS

GAIN:

- *MOBILITY WITH CASTERS
- *SECURITY AND PROTECTION WITH 3 POINT LOCKING DOOR

FEATURES:

- * 450# CAPACITY 100% EXTENSION DRAWERS
- * 900# CAPACITY CASTERS
- * UHMW DECKING ON TOOL SHELVES TO PROTECT TOOLING
- * THUMB LATCH FEATURE FOR SAFE MOBILITY
- * HEAVY DUTY QUALITY
- * CUSTOMIZATION, **WITHOUT PAYING CUSTOM PRICES!!**



SPECIALTY PRODUCTS

SPECIALTY PRODUCTS